



WHEN THE BEST GETS EVEN BETTER

At Huddig, we always strive to make the best even better. Our new model, HUDDIG 1260E, is the result of several years of development, improvement, testing and evaluation conducted by our talented staff.

With the new HUDDIG 1260E we take another big step into the future. Much of the technology is inherited from our future concept Tigon Technology, which has received praise both domestically and internationally.

With an even stronger engine than before, a lightning-fast control system and several other exciting innovations, we are confident that our new machine will make the same strong footprint on the market as our previous models.

This is HUDDIG 1260E.



A handwritten signature in black ink, reading "Lars Lindahl". The signature is fluid and cursive, written in a professional style.

Lars Lindahl, CEO Huddig





WE BUILD CITIES

Restricted areas. High safety requirements. Fast movement. Several different types of jobs in a single working day. Working in urban and park environments, residential areas and heavily-trafficked roads requires both a special machine and a skilled driver. A driver like you. In a machine like HUDDIG CITY 1260E.



MORE FLEXIBLE AND EFFECTIVE THAN OTHERS

HUDDIG CITY 1260E is the multifunctional backhoe loader, specially adapted to urban environments and that can be equipped with a wide range of accessories for unbeatable flexibility and efficiency.

The articulated steering design makes it easy to work even in confined spaces such as on footpaths in parks, on streets, in residential areas or on next to the motorway.

With an unmatched overall economy and proven operational reliability, HUDDIG CITY 1260E is your best investment for years to come.

THE BENEFITS OF HUDDIG CITY 1260E

- Articulated steering design provides small turning radius and smooth steering.
- Powerful loader and backhoe arm for fast movement of material.
- Powerful 6.7 litre diesel engine from Cummins for fast movement between different jobs.
- The oscillating pivot keeps all four wheels on the ground even on uneven surfaces.
- Advanced hydraulics make it possible to carry out jobs requiring both strength and precision.
- With radio remote control you can control the functions of the machine from outside the cab.
- A wide range of accessories that make your machine the perfect construction machine.
- A machine that is billable all year-round with many different application areas.
- Read more about HUDDIG CITY at huddig.com/city





 **CABLE**

WE BUILD
INFRASTRUCTURE

Line work is one of the hardest and toughest jobs in the construction industry. Getting out to hard-to-reach places, working in extreme conditions and with extra high safety requirements requires a powerful, flexible and safe machine. HUDDIG CABLE 1260E is the machine that paves the way for new infrastructure all over the world.



BUILT TO MAKE ITS OWN WAY IN ALL WEATHER AND TERRAIN

HUDDIG CABLE 1260E is the only machine you need to carry out line work. It can carry out tasks that would otherwise need several machines and operators.

The machine is ideal for line work for many different reasons. A HUDDIG has the strength to carry out cable ploughing, the flexibility to plough at roadsides and in sensitive ground, as well as the accessories that facilitate the work.

A HUDDIG is built to work hard, around the clock, all year round. It is smart, agile and flexible – developed to withstand work in tough climates and extreme conditions.

BENEFITS OF HUDDIG CABLE 1260E

- Is certified according to EN 280 that includes the latest construction- and safety requirements for mobile elevating work platforms.
- Hydrostatic transmission provides smooth operation while maintaining traction.
- LIFT 1420B and 2000B have a new work platform with stepless levelling for extra smooth and stable motion.
- Unique driving characteristics allow for work in practically all types of terrain.
- Heavy-duty backhoe unit for excavating and pole handling.
- LIFT 1420B and 2000B have new operator controls in both cab and work platform.
- Option to supplement the loader with a Palfinger crane.
- With a wide range of accessories on the market, you can create complete systems for cable ploughing and line building.
- Read more about HUDDIG CABLE at huddig.com/cable



 **RAIL**

WE BUILD RAILWAYS

As railway function becomes increasingly important in our society, the demands for more efficient machines and more efficient working methods are also increasing. Railway work is often carried out under time constraints, which means high demands and regulations – not least regarding safety but also in several other areas. HUDDIG RAIL 1260E proves time and again that it is the ideal machine for safe, efficient and fast railway construction and service maintenance.

EFFICIENCY ON A WHOLE NEW LEVEL

HUDDIG RAIL 1260E alone can replace several traditional machines for railway construction and maintenance. With its wide range of accessories such as sleeper changer, LIFT 2000B and track brush.

The machine offers an ergonomic operator environment that is built around you. We have thought about how you sit, how our joysticks are designed and where the functions are located. With five programmable function buttons on the consoles, you can choose to have important functions at your fingertips.

BENEFITS OF HUDDIG RAIL 1260E

- Thanks to frame pivot steering and the oscillating pivot, you can quickly and easily get on and off the track.
- You can count on the 6 cylinder, 6.7 litre engine for many hours of efficient operation.
- You can perform even more work tasks with LIFT 1420B or 2000B mounted.
- Driven rail wheels with decoupling give you increased efficiency for work that requires higher friction.
- Advanced hydraulics make it possible to carry out jobs requiring both strength and precision.
- Our own integrated warning system RCI (Rated Capacity Indicator), alerts the operator and automatically stops the backhoe when there is a risk of tipping.
- Can be equipped with many different tools for railway maintenance, e.g. sleeper changer.
- Read more about HUDDIG RAIL at huddig.com/rail



STANDARD EQUIPMENT

Cab

Tilting cab
Tinted glass
Opening safety glass sunroof
BeGe driver's seat
Opening side windows
Opening rear window
4 position mini joystick with backlit console
First-aid kit
Rear view mirrors, 2 interior, 2 exterior
Moulded floor mat
Fire extinguisher, 6 kg
Sun visors, front and rear
Glass-mounted GSM antenna
Automatic climate control
CD-player with radio, incl. 2 speakers
Engine/cab heater socket
Cruise Control*

Lighting

Work lights LED TYRI 1010-4000eL, 2 front and 2 rear*
Rotating warning lamp with pivoted mounting
Automatic interior lights
Automatic reversing light

Display

10" TFT colour touchscreen
Gauges integrated with display

Brake system

Dual-circuit brake system
Electrically operated parking brake
Automatic excavation brake

Combination valve

Electrohydraulic servo valve operated
Hydraulic tool mounting
Hydraulic tool lock loader
Transport position loader
Hose break valve boom and backhoe
Hydraulic outlet 1, double action
Load damping
3rd hydraulic function loader

Wheels

Trelleborg 620/60x34 Heels

Buckets

Backhoe bucket G85 420 L
Grading bucket 2.60 m

Other

Double command
Main circuit breaker, automatic
Tool kit
Lockable tool box on right front wing and behind the cab
Full-body skid plates
Electronic control system
4 pre-installed operating-mode settings
Mobile diagnostics
12V and 24V sockets
SMV or 50 km sign, class 2 or class 1
Heating system for hydraulic fluid
Hose break valve on support leg
Towing eye on support leg
100 amp generator
Fire protection inspected
Central lubrication ready
Prepared for remote control*

*New as standard

OPTIONAL EQUIPMENT

Performance enhancing

Hydraulic motor outlets, available in various versions
Double-acting hydraulic outlet, available in two versions
Shared quick coupling for tiltrotator
Piston rod cover
4th loader function
Raised cab
Work lights LED TYRI 1010-4000eLm, available in several packages
LED running lights
Wheel sets, available in several makes
Adaptive central lubrication
Extra reinforced skid plate
Converter mode
Air Sentry - water-separating respiratory filter
Bypass filter kit for working hydraulics
Boost hydraulics

Comfort

BeGe 7000 Air Vent with air suspension
Heated rear view mirrors
Sun visors, sides
Head rest
Extra footstep
Fabric floor mat
Fuel filler pump, electric
Webasto diesel heater, incl. GSM start

Safety and environment

Tool locks in various designs incl. safety bracket
Polycarbonate windscreens
Rotating LED warning lamp
Environmentally friendly oil

Other

7-pin towing connection rear
Tow hitch including pin
TMA ready
Loading box
Shovel and spike holder
Radio remote control
Railway equipment 9A and 9C
Crane attachment in loader, incl. Palfinger crane 18502SH
Lift programme; LIFT 2200, LIFT 2200 LWI, LIFT 2000B, LIFT 1420B
Track operation
Bucket range

MAIN DIMENSIONS

with standard buckets and 620/60/34 wheel fittings

Dimensions - standard equipment

A	Transport length	8630 mm
B	Wheelbase	2600 mm
C	Backhoe overhang	1100 mm
D	Height above cab	3110 mm
E	Transport height, backhoe	4380 mm
F	Transport length, backhoe	2300 mm
G	Ground clearance	515 mm
H	Ground clearance angle, support legs	32°
I	Width support legs, Max	3700 mm
	Width support legs, parked position	2460 mm
J	Width front bucket	2600 mm
K	Width across wheels	2600 mm
r1	Slew radius outside of bucket	6288 mm
r2	Slew radius, outside of wheels	5760 mm

Backhoe unit

L	Reach	6530 mm
M	Depth	4900 mm
N	Load height	3770 mm
O	Digging width	4200 mm

Load unit

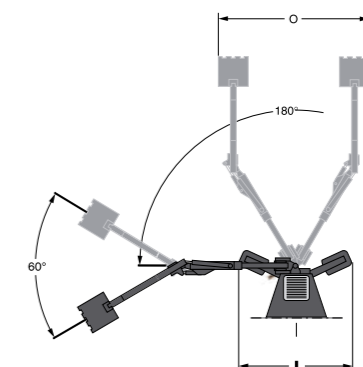
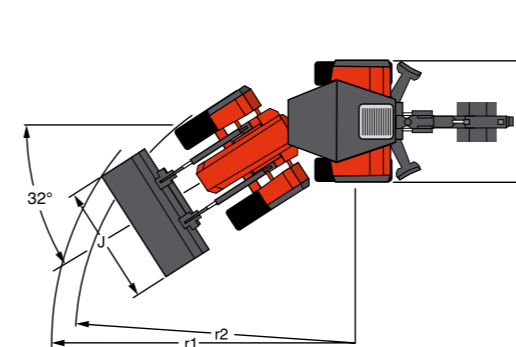
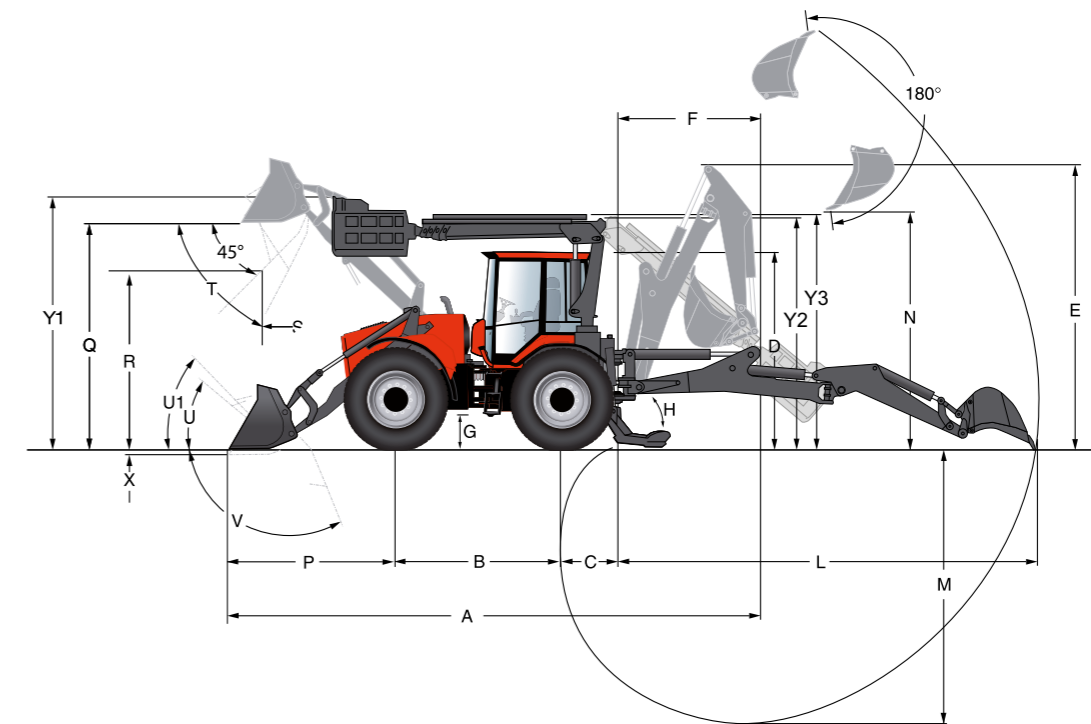
P	Reach	2630 mm
Q	Lifting height, grading bucket	3500 mm
R	Load height 45° tilted bucket	2690 mm
S	Reach, 45° tilt angle	1030 mm
T	Max. tilt angle	63°
U	Load angle	40°
U1	Load angle in carrying position	46°
V	Tipping angle, ground level	112°
X	Excavation depth	90 mm

Lift

Y1	Height to top of working platform in transport position	3975 - 4070 mm
Y2	Height to top of arm in folded down position	3570 - 3870 mm
Y3	Height to top of arm in transport position	3840 - 4000 mm

Weight

Gross weight, standard version incl. buckets	13,200 kg
Gross weight, max	18,000 kg



TECHNICAL DATA

Engine

Model	Cummins QSB6,7 EU Stage V / EPA Tier 4 Final
Type	6-cylinder, water cooled, turbo charged, charge air cooled, 4-stroke diesel engine. Firing order 1-5-3-6-2-4
Fuel	Diesel
Cylinder displacement	6.7 litres
Power output	116 kW (157 hp) at 1900 rpm
Torque	662 Nm at 1100 rpm

Transmission

Type	Hydrostatic with variable pump and motor, both axial piston type. Gearbox with low and high ranges. Wheel axles with hub reduction.
Hydrostatic oil volume	Tank 16 litres, total 25 litres
Gearbox	ZF/2HL 290 Two ranges (high/low). Can be shifted during operation.
Wheel axles	Conical angle gear, automatic laminated disc differential brake, planetary train type hub reduction.
Speed	Motor vehicle class 1 Low 0-10 km/h, High 0-40 km/h Motor vehicle class 2 Low 0-10 km/h, High 0-30 km/h

Brake system

Transport brakes	Dual circuit brake system with two accumulators. Wet disc brakes on all wheels, proportionally operated with hydraulic servo.
Auxiliary brakes	One of the two transport brake circuits or parking brake.
Service brake	Automatic application of transport brakes when the gear selector is in neutral position and the machine is stationary. (The automatic function can be disengaged).
Parking brake	Electrically operated disc brake in the gearbox. (Mechanical negative braking action).

Wheel fittings

Standard	Trelleborg (heels) 620/60x34	Width across wheels 2600 mm
Alternatives	Trelleborg (twin) 600/65x34 SB	Width across wheels 2600 mm
	Trelleborg (twin) TM2000 620/75x26	Width across wheels 2600 mm
	Nokian TRI HD 580/65x34	Width across wheels 2600 mm
	Nokian 600/65x34 SB	Width across wheels 2600 mm
	GoodYear GP-4D 23,5 R25	Width across wheels 2600 mm
	Other wheels are available for machines equipped with rail running equipment.	

Steering system

Type	Hydrostatic frame pivot steering. Two double-action hydraulic cylinders on the rear frame.
Steering devices	Steering wheel: Manually operated Orbitrol with proportional function. Approx. 5.5 (2000°) turns between end positions. Joystick: Electrically operated valve with proportional function. The joystick function is also dependent on vehicle speed in that steering assist is reduced as speed increases.
Steering angle	± 32°
Frame oscillation	± 8°
Screen/display	10" TFT colour touchscreen

TECHNICAL DATA

Electrical system

System voltage	24 V
Generator	Alternating current 100 A
Battery	Two pcs, series connected 12 V, 100 Ah

Operating hydraulics

Type	Load sensing (LS) with two variable axial piston pumps.
Pump 1	Variable axial piston pump with 60 cm ³ displacement mounted on the pump distribution box and supplying the following functions: -Orbitrol steering (prioritised) -Brake system (prioritised) -Loader unit -Backhoe unit -Joystick steering -Hydraulic motor outlet
Pump 2	Variable axial piston pump with displacement 100 cm ³ , capacity controlled, mounted on the gearbox and supplying the following functions: -Loader unit -Backhoe unit -Hydraulic motor outlet
Max operating pressure	Standard 23 MPa (233 bar)/Boost 26 MPa (260 bar)
Nominal maximum flow	175 litres/min @ 1000 rpm 260 litres/min @ 1500 rpm 350 litres/min @ 2000 rpm
Double-action outlet	1: max 50 l/min 2: max 90 l/min 3: max 90 l/min 4: max 90 l/min
Single-action outlet	1: max 90 l/min 2: max 170 l/min @ >1000 rpm

Backhoe unit

Breakout force at bucket edge	103 kN (10300 kp)	Reach	6530 mm
Digging force at bucket pivot	63 kN (6300 kp)	Depth	4900 mm
Lifting force at maximum reach	19.1 kN (1910 kp)	Bucket angle	180°
Maximum slewing torque	37 kNm (3700 kpm)	Slewing angle	180°
Recommended bucket volume	350 - 450 litres		

Loader unit

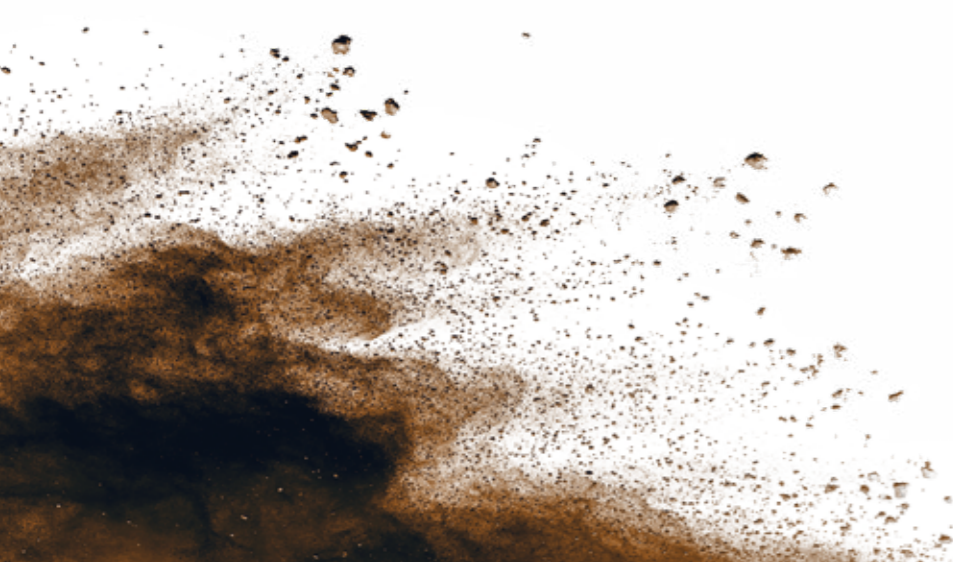
Breakout force at bucket edge	60 kN (6000 kp)	Lifting height	3.5 m
Lifting force at full height	61.5 kN (6150 kp)	Break angle at ground level	40°
Lifting force at ground level	55.0 kN (5500 kp)	Break angle in carrying position	46°
Recommended bucket volume	1000 - 3000 litres	Tilt angle	63°

Torque limitation

Low ratio	112.9 kN
High ratio	27.5 kN

Environmental conditions

Temperature range	Ambient air temperature -25°C to +46°C		
Noise	According to EC directive 2000/14/EC (ENG 2000/14/EC)		
	-Measured sound power level	96 dB(A)	
	-Guaranteed sound power level	101 dB(A)	
	-Internal sound pressure level	64 dB(A), ISO 6396	
Vibration	According to EC directive 2002/44/EC (ENG 2002/44/EC)		
	-Hand/Arm vibration level	<2,5 m/s ² A(8), ISO 5349	
	-Whole-body vibration level	<0,5 m/s ² A(8), ISO 2631	





huddig.com



facebook.com/huddig



linkedin.com/company/huddig-ab



youtube.com/huddig



instagram.com/huddigofficial



twitter.com/huddig



issuu.com/huddig